

**BOROUGH OF CASTLE SHANNON
REQUEST FOR TEMPORARY PLACEMENT OF DUMPSTER/CONTAINER ON A ROADWAY**

(\$50 fee made payable to Castle Shannon Borough)

REQUESTOR INFORMATION

Name: _____
Address: _____
Email Address: _____ Phone: _____
Homeowner's Insurance Carrier: _____
Policy Number: _____

DUMPSTER COMPANY INFORMATION

Name: _____
Address: _____
Contact Name: _____ Phone Number: _____
Insurance Carrier: _____
Policy Number: _____

Dumpster Location: _____
Date of Placement: _____ Estimated Time of Placement From: _____ To: _____
Type of Traffic Controls: (cones, drums, lighting, etc.) _____

Requestor agrees to assume all costs and responsibilities for the placement and maintenance of Traffic Control Devices required to alert and warn drivers of the potential hazards created by the placement of the dumpster/container. In addition, the requestor agrees to fully indemnify and hold harmless the Borough of Castle Shannon and assumes all liability for damages or injury occurring to any person or property through or in consequence of any act or omission of anyone associated with the placement of the dumpster/container on the roadway. Requestor has obtained minimum \$100,000 liability insurance, and names the Borough of Castle Shannon as an additional insured on said policy for such purpose.

Name (printed): _____ Signature: _____
Date: _____

Request has been examined by Chief of Police or his designee and recommends:

Approved

Denied

Reason for Denial: _____

Name of Official: _____ Date: _____

Signature: _____

DUMPSTER/CONTAINER CRITERIA FOR PLACEMENT
CASTLE SHANNON BOROUGH

The placement of a dumpster/container on a roadway within the Borough of Castle Shannon may be permitted providing the following criteria are satisfied:

1. The requestor has no other available space (driveway, lawn, etc..) that the dumpster can be placed.
2. The dumpster/container will not be placed on the roadway longer than 10 days.
3. The dumpster/container will be removed within 24 hours of it being filled.
4. The dumpster/container will be secured so as to prevent debris from the container from blowing from or spilling from the container.
5. Traffic control devices will be properly placed and maintained to alert and warn drivers of the potential hazards created by the placement of the container.
6. The requestor completes an application requesting the placement of the dumpster/ container and agrees to the conditions and requirements associated with such request.
7. The requestor pays a **\$50.00** application fee.
8. The request is approved by the Chief of Police or his designee.

NO dumpster/container will be allowed to be placed in any area that a motor vehicle would be prohibited from stopping, standing or parking by either ordinance or statute.

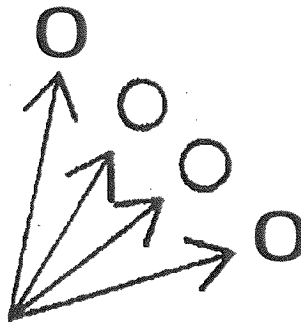
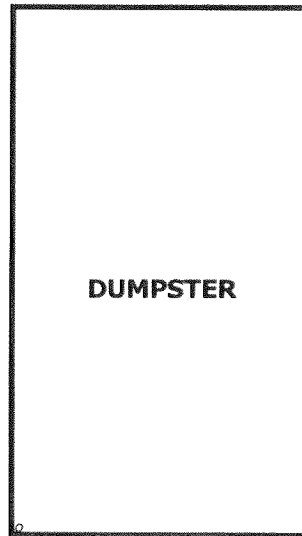
(Unless articulable circumstances present and only upon approval of Chief of Police or designee)

Traffic Control Devices:

1. Traffic control devices shall be placed when the dumpster/container is placed on the roadway, and they shall be properly maintained during the time they are placed.
2. Traffic control devices shall remain in place only as long as they are needed, and they shall be removed as soon as possible thereafter.
3. Traffic control devices shall be correctly positioned, clean, legible, operative, and in good state of repair. The reflective sheeting is not permitted to be scratched, scarred dirty or show evidence of loss of reflectivity. They shall be repositioned, cleaned repaired, and replaced when necessary to maintain their effectiveness.
4. Devices shall be positioned to provide for a smooth and gradual transition of traffic around the dumpster/container.
5. Devices shall be constructed so as not to inflict undue damage to a vehicle that strikes them inadvertently.
6. Only cones (28"to36"), drums, Type I or II Barricades, or minicades shall be used as traffic control devices. Devices shall have reflective sheeting.
7. At a minimum, there shall be at least 4 (four) devices positioned in front of the dumpster /container, as shown in the attached diagram, and 2 (two) devices behind.
8. In addition to the traffic control devices, the dumpster must display reflective material mounted on each of its corners.

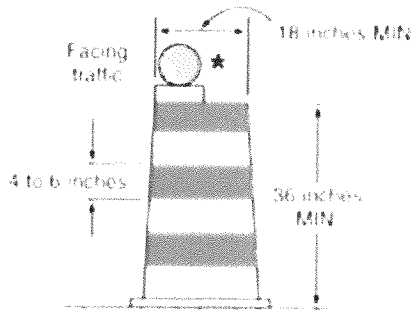
ROADWAY

TRAFFIC CONTROL DEVICES

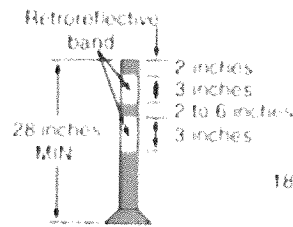


TRAFFIC CONTROL DEVICES

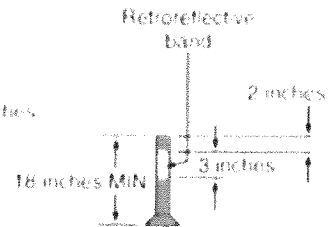
Figure 6F-7. Channelizing Devices



DRUM

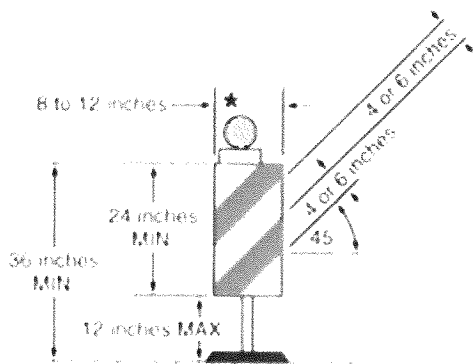


Night and/or freeway
High speed roadway
(> 45 mph)

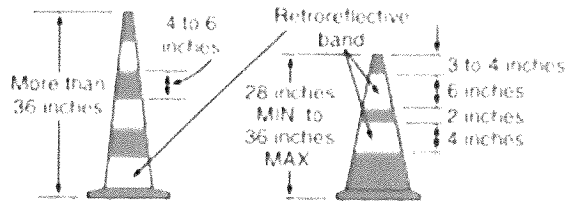


Day and low speed
roadway (<= 40 mph)

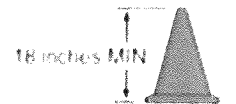
TUBULAR MARKERS



VERTICAL PANEL

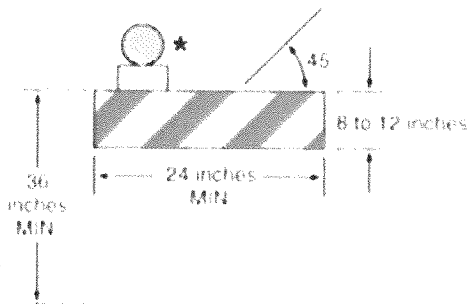


Night and/or freeway
High speed roadway
(> 45 mph)

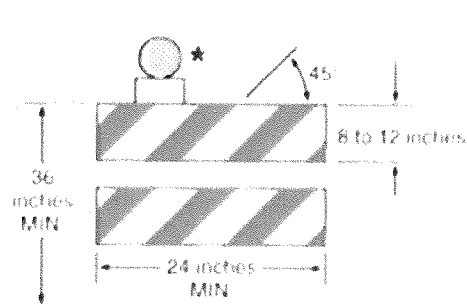


Day and low speed
roadway (<= 40 mph)

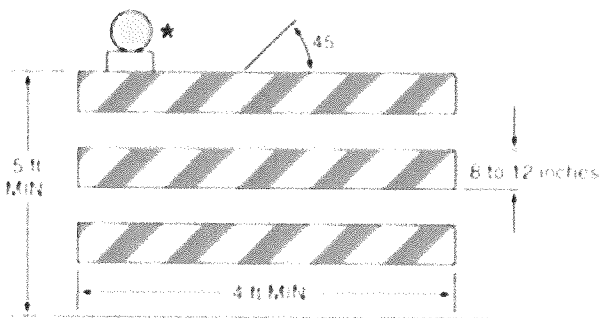
CONES



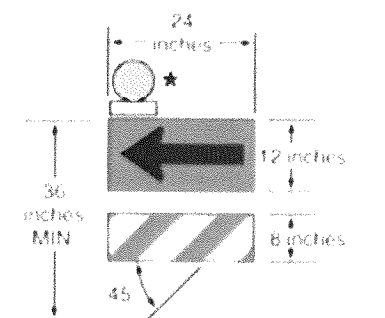
TYPE 1 BARRICADE **



TYPE 2 BARRICADE **



TYPE 3 BARRICADE **



DIRECTION INDICATOR BARRICADE **

* Warning lights (optional)

** Rail stripe widths shall be 6 inches, except that 4 inch wide stripes may be used if rail lengths are less than 36 inches. The sides of barricades facing traffic shall have retroreflective rail faces